

Parts List

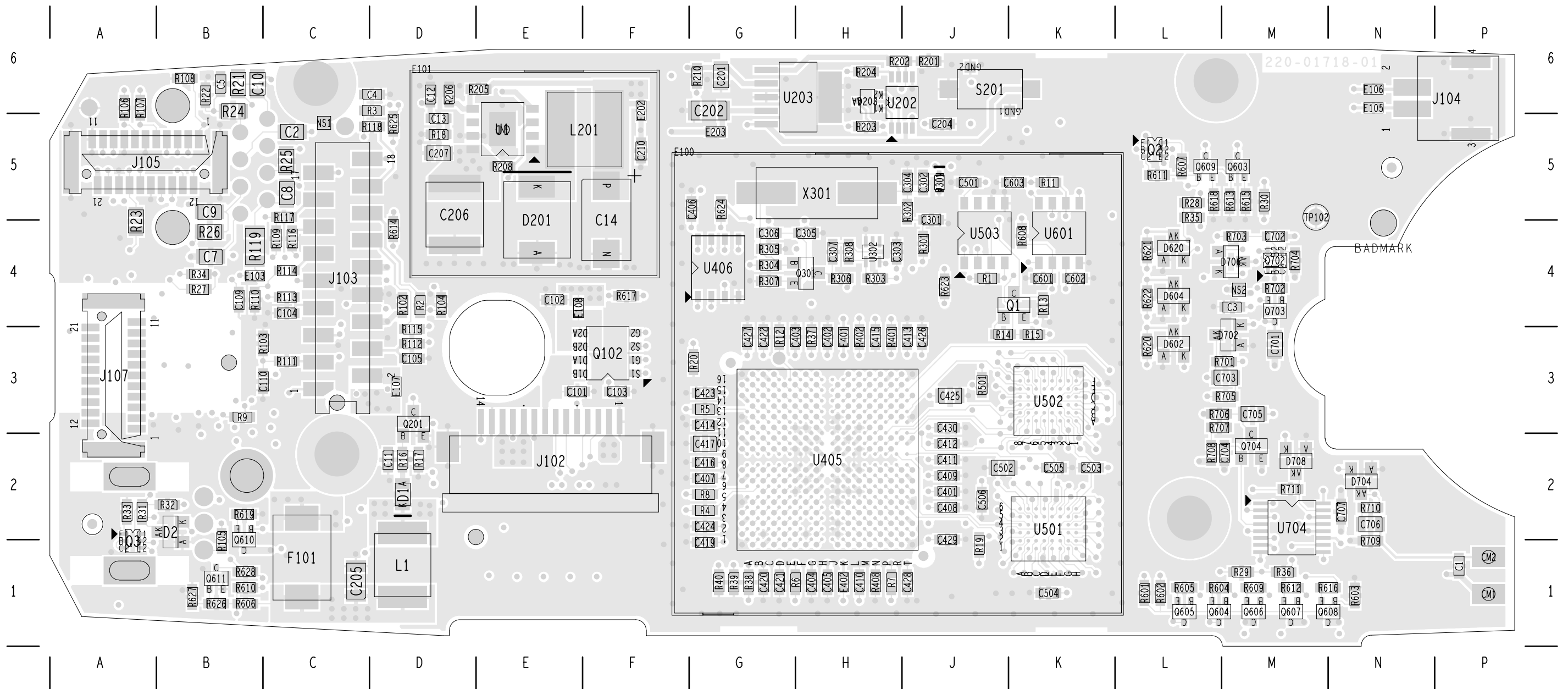
Table with 4 columns: Ref, Var, IPN, Description. Lists various components like resistors and capacitors with their part numbers and descriptions.

Grid Reference Index

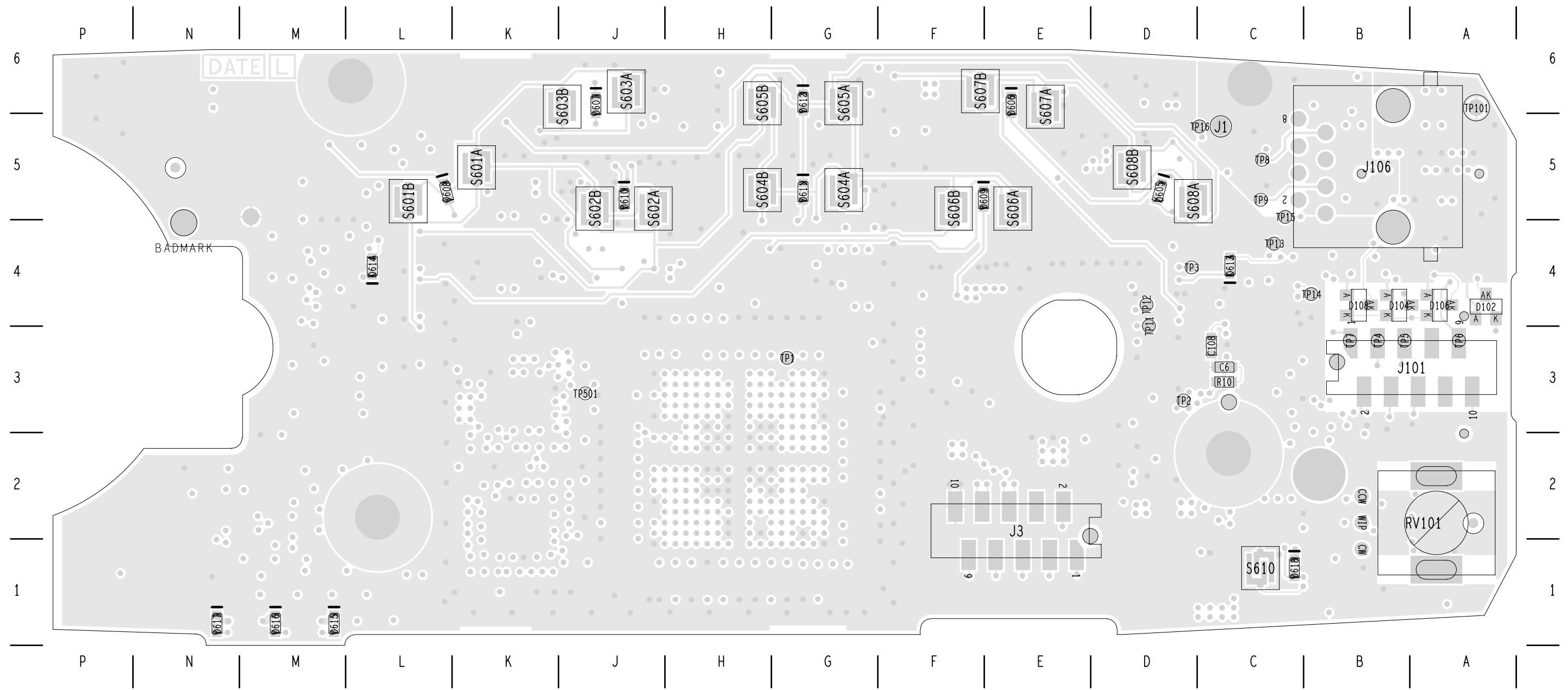
Table with 3 columns: Ref, PCB, Circuit. Provides a grid reference index for components, listing reference designators, PCB locations, and circuit board locations.

PCB IPN 220-01718-01

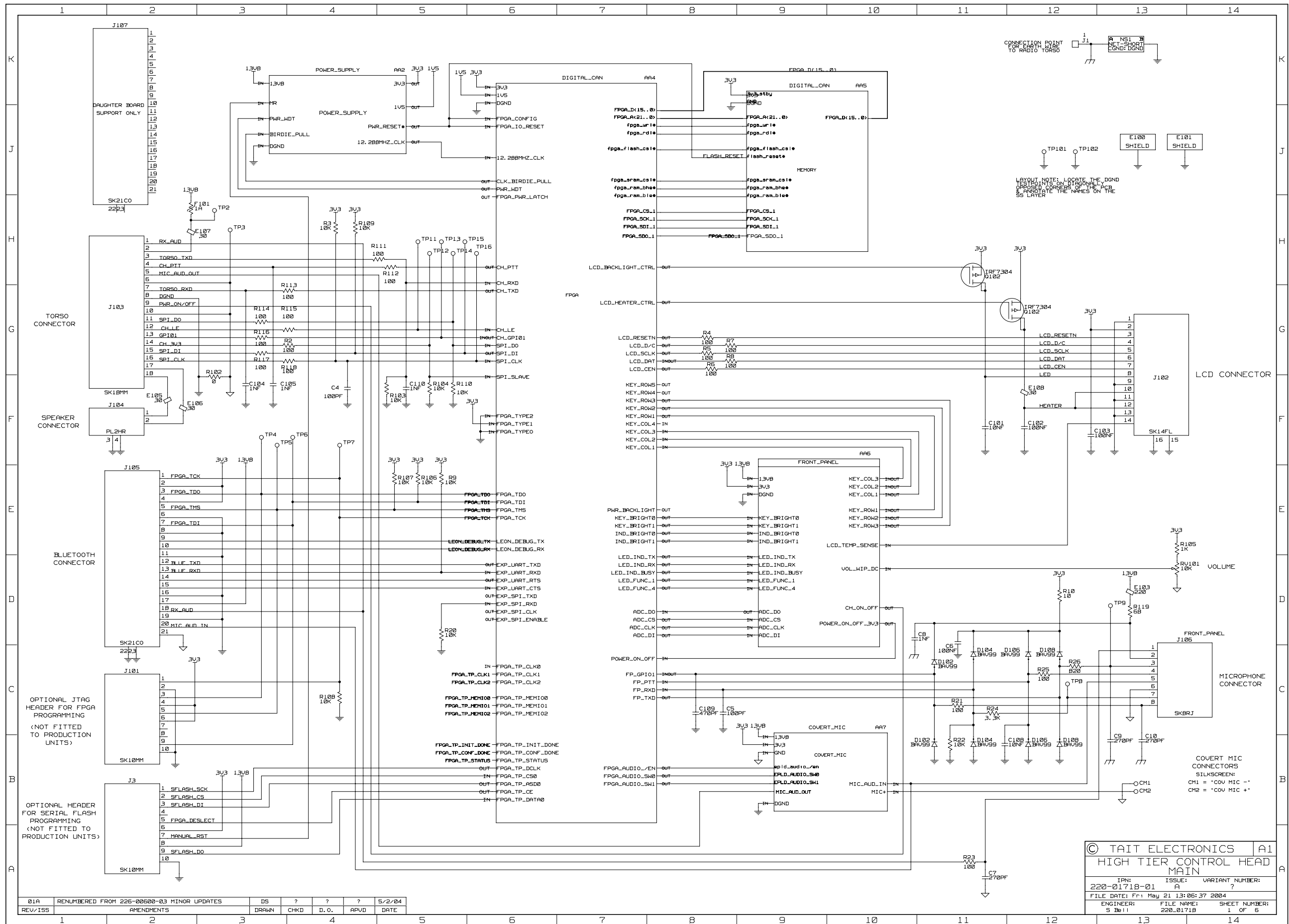
Table with 3 columns: Ref, PCB, Circuit. Provides a grid reference index for components, listing reference designators, PCB locations, and circuit board locations.



TAIT ELECTRONICS	IPN:	ISS:	DATE:	SCALE:
	220-01718-01	A	21May04	NTS
MFX2 HT FRONT PANEL 220-01718-01A LAYOUT-PRIMARY-SIDE				

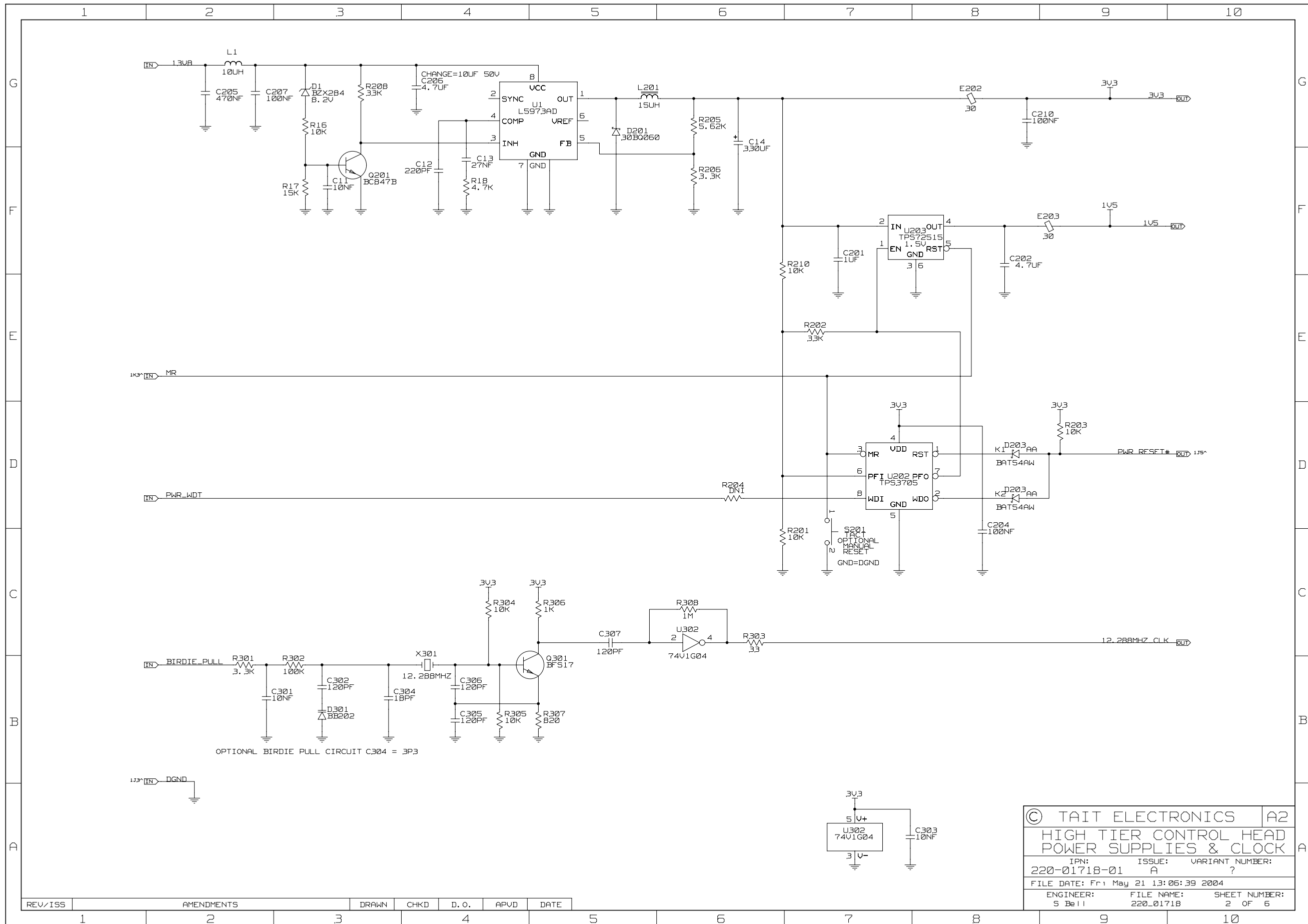


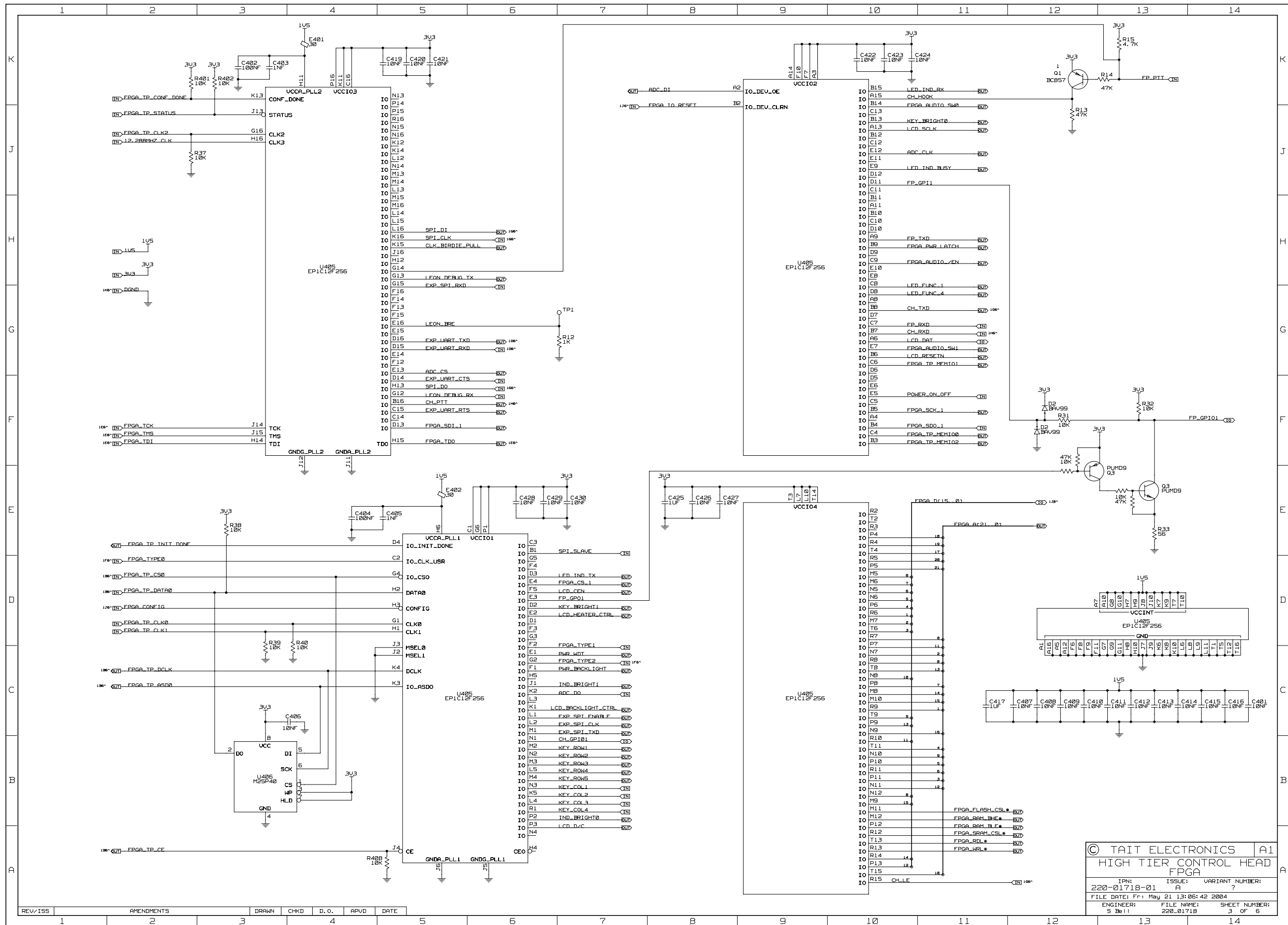
TAIT ELECTRONICS	IPN: 220-01718-01	ISS: A	DATE: 21May04	SCALE: NTS
MFX2 HT FRONT PANEL 220-01718-01A LAYOUT-SECONDARY-SIDE				



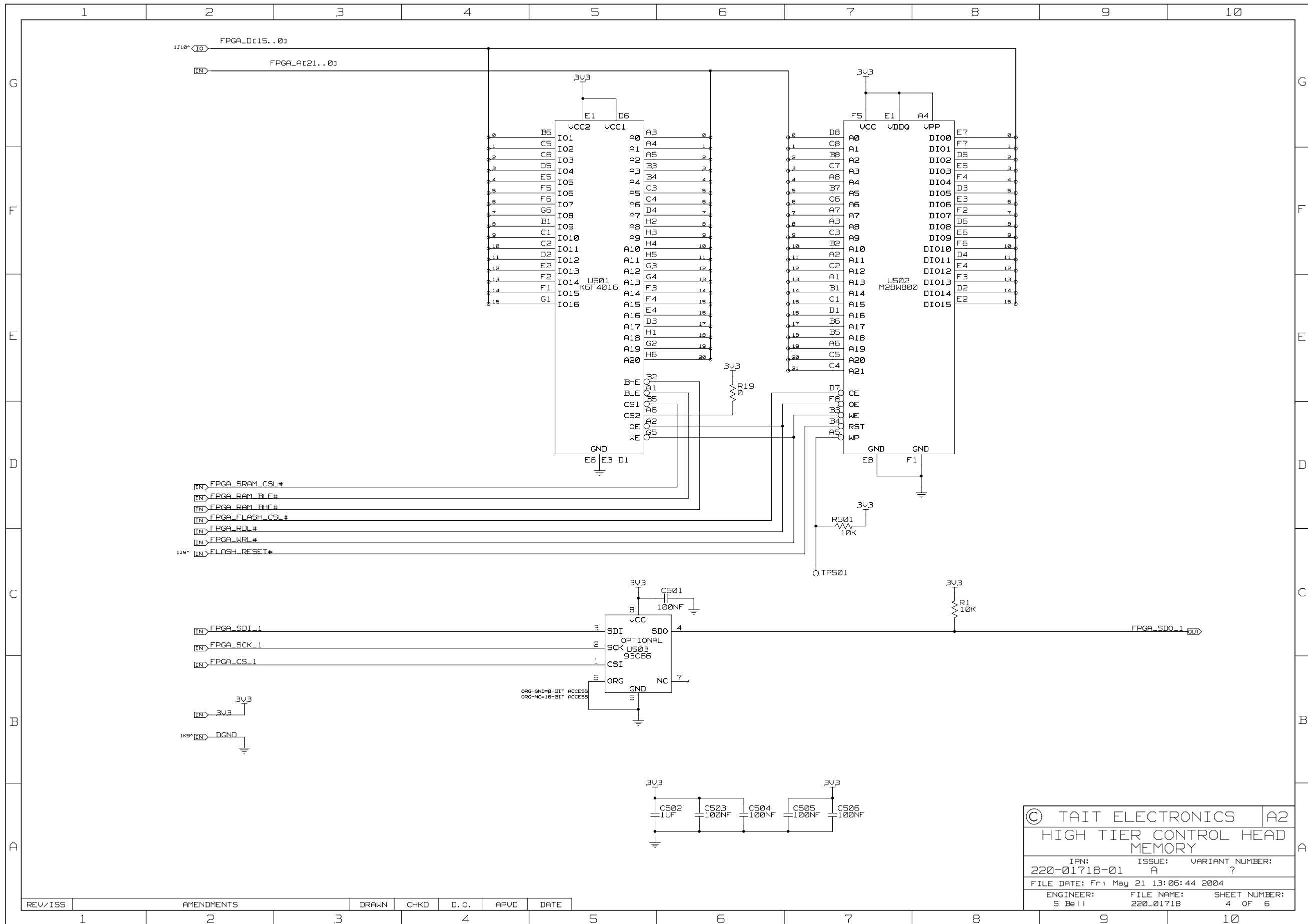
© TAIT ELECTRONICS A1
 HIGH TIER CONTROL HEAD MAIN
 IPN: 220-01718-01 ISSUE: A VARIANT NUMBER: ?
 FILE DATE: Fri May 21 13:06:37 2004
 ENGINEER: S B11 FILE NAME: 220_01718 SHEET NUMBER: 1 OF 6

REV/ISS	AMENDMENTS	DRAWN	CHKD	D.O.	APVD	DATE
01A	RENUMBERED FROM 226-00600-03 MINOR UPDATES	DS	?	?	?	5/2/04



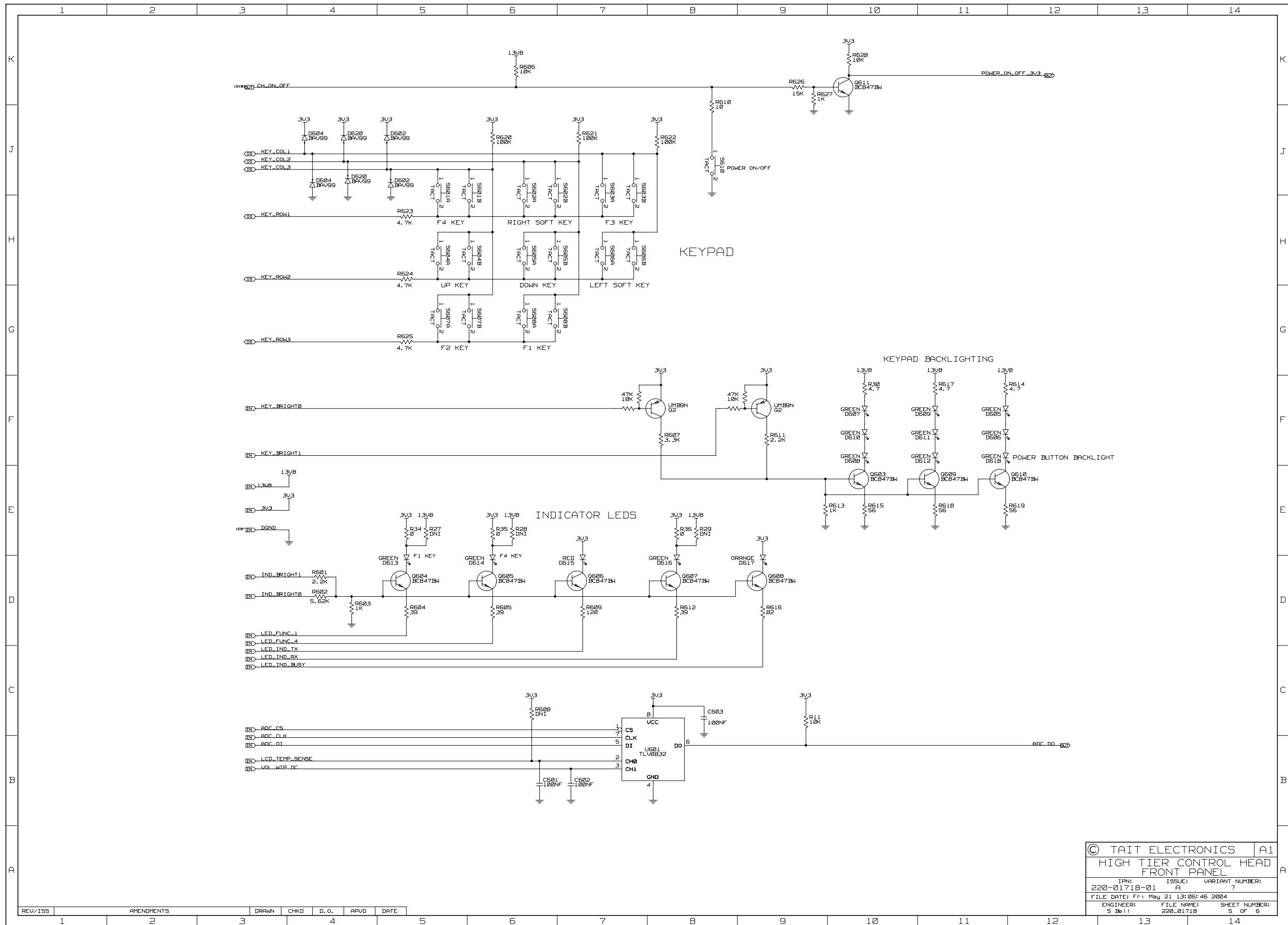


© TAIT ELECTRONICS		A1
HIGH TIER CONTROL HEAD FPGA		
IPN: 220-01718-01	ISSUE: A	VARIANT NUMBER: ?
FILE DATE: Fri May 21 13:06:42 2004	ENGINEER: S B 11	FILE NAME: 220_01718
		SHEET NUMBER: 3 OF 6



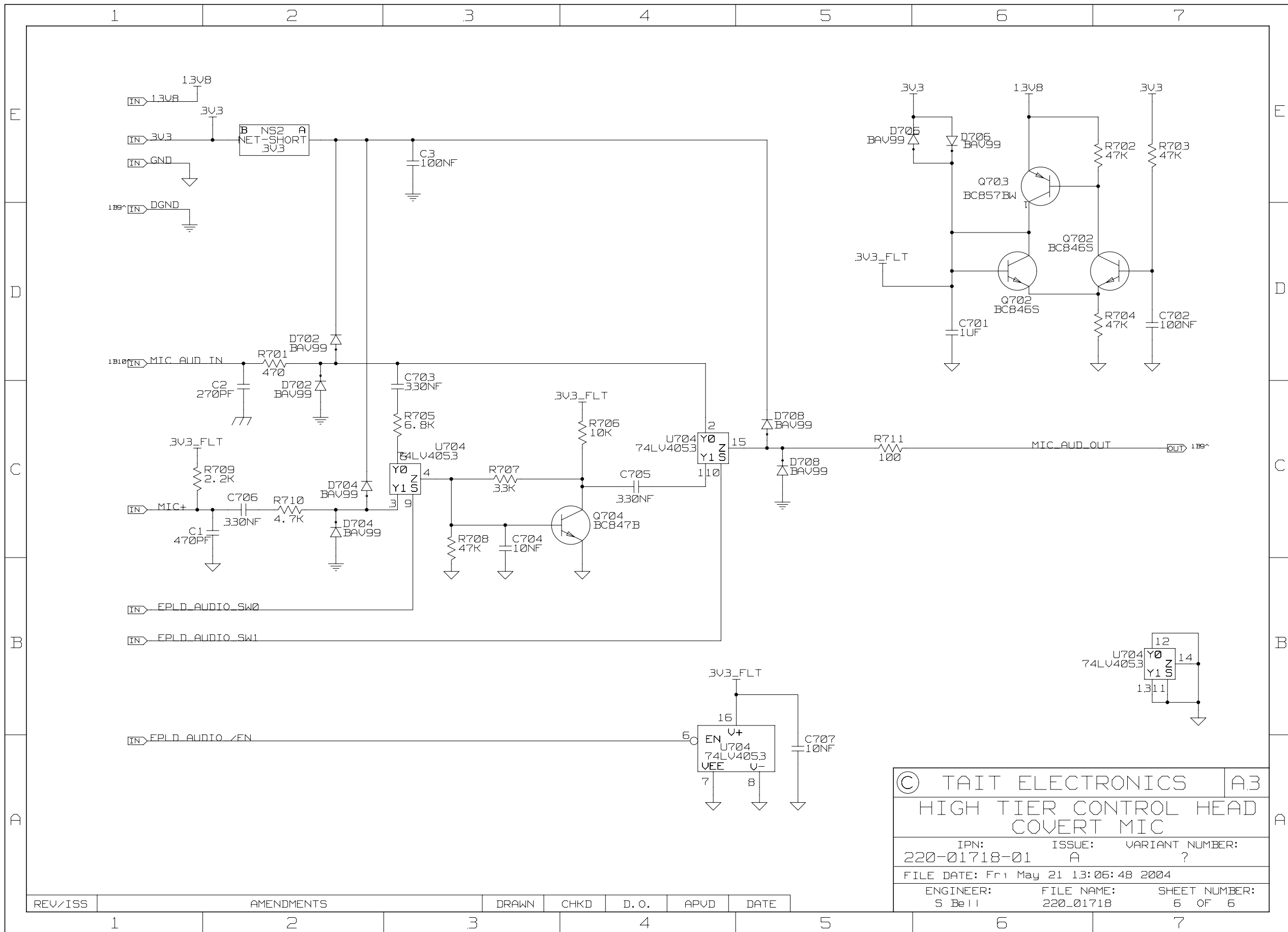
© TAIT ELECTRONICS		A2
HIGH TIER CONTROL HEAD MEMORY		
IPN:	ISSUE:	VARIANT NUMBER:
220-01718-01	A	?
FILE DATE: Fri May 21 13:06:44 2004		
ENGINEER:	FILE NAME:	SHEET NUMBER:
S Bell	220_01718	4 OF 6

REV/ISS	AMENDMENTS	DRAWN	CHKD	D. O.	APVD	DATE
1						



© TAIT ELECTRONICS		A1
HIGH TIER CONTROL HEAD FRONT PANEL		
IPN: 220-01718-01	ISSUE: A	VARIANT NUMBER: ?
FILE DATE: Fri May 21 13:05:45 2004		
ENGINEER: S Bell	FILE NAME: 220_01718	SHEET NUMBER: 5 OF 6

REV/ISS	AMENDMENTS	DRAWN	CHKD	D.O.	APVD	DATE
1						



© TAIT ELECTRONICS		A.3
HIGH TIER CONTROL HEAD COVERT MIC		
IPN: 220-01718-01	ISSUE: A	VARIANT NUMBER: ?
FILE DATE: Fri May 21 13:06:48 2004		
ENGINEER: S Bell	FILE NAME: 220_01718	SHEET NUMBER: 6 OF 6

REV/ISS	AMENDMENTS	DRAWN	CHKD	D. O.	APVD	DATE
1						
2						
3						
4						
5						